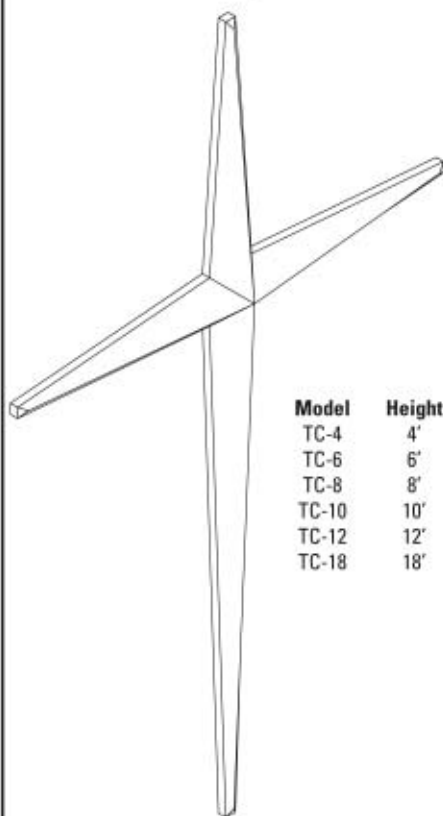


# Fiberglass Wall Crosses

## Tapered Body Style



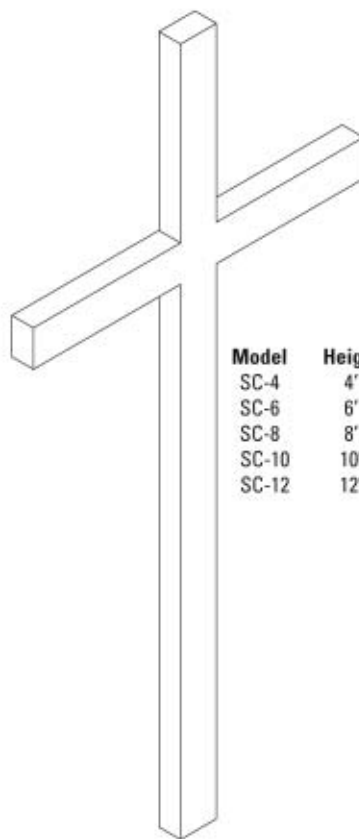
Model	Height	Width	Weight
TC-4	4'	2'6"	30 lbs.
TC-6	6'	4'1"	40 lbs.
TC-8	8'	5'	50 lbs.
TC-10	10'	6'4"	60 lbs.
TC-12	12'	7'6"	75 lbs.
TC-18	18'	6'10"	125 lbs.

These beautifully crafted crosses provide a focal point that will enhance virtually any place of worship. Designed for interior or exterior use, they are available with 2 optional backlighting systems, creating a soft, warm glow that silhouettes the cross against the wall behind it. Mounting brackets are included for easy installation using simple hand tools.

## Available in six colors!

- White
- Bone
- Metallic Bronze
- Metallic Copper
- Metallic Gold
- Metallic Silver

## Square Body Style



Model	Height	Width	Weight
SC-4	4'	30"	30 lbs.
SC-6	6'	41"	40 lbs.
SC-8	8'	47"	50 lbs.
SC-10	10'	60"	60 lbs.
SC-12	12'	69"	75 lbs.

## Backlighting Kits

**Filament Cord Backlights:** Encased in tubing with an impact strength of 220 lbs per square inch, our Filament Cord Backlights illuminate a full 5.5 watts per foot. That's over 140 watts of pure light for an 8' cross. With an average rated life of 25,000 hours (8 1/2 years at 8 hours per day) these UL listed Backlights are easy to replace should they ever burnout.